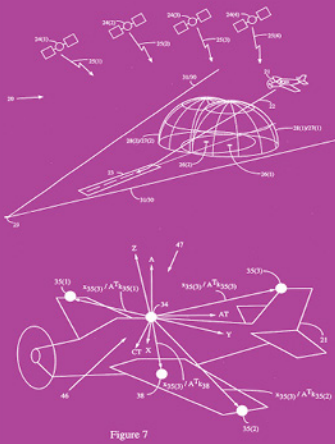
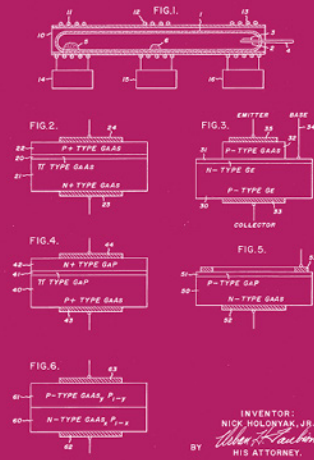


SO HAPPY THAT  
i found you



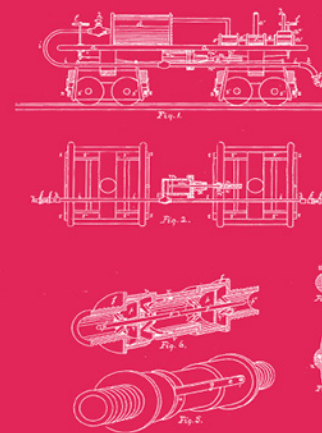
**Bradford Parkinson** Global Positioning System  
U.S. PATENT NO. 5,572,218

LOVE LED  
ME TO YOU



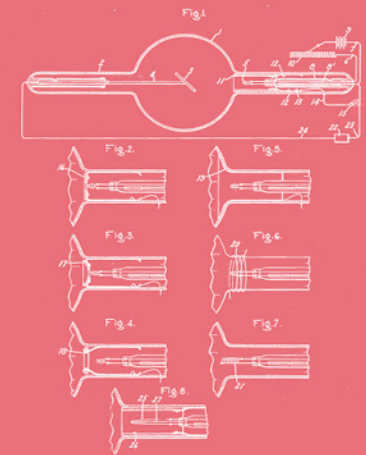
**Nick Holonyak** LED  
U.S. PATENT NO. 3,249,473

I BRAKE  
for love



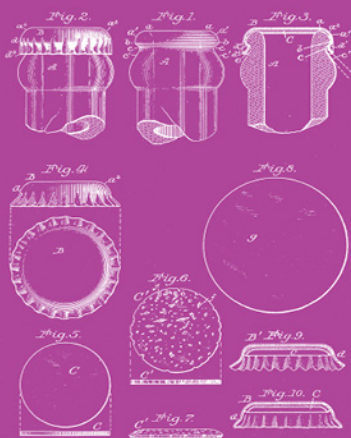
**George Westinghouse** Air Brake System  
U.S. PATENT NO. RE 5,504

YOU SEE THROUGH ME  
LIKE NO ONE ELSE



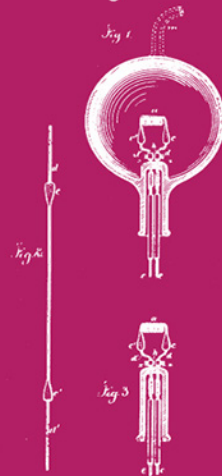
**William D. Coolidge** X-Ray  
U.S. PATENT NO. 1,203,495

YOU MAKE ME  
flip my lid



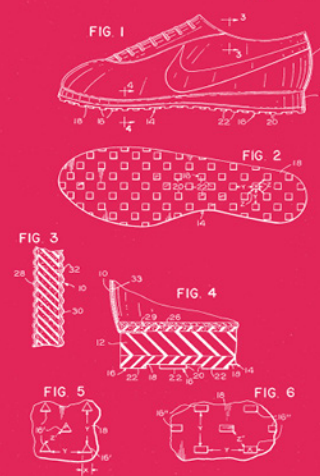
**William Painter** Bottle Cap  
U.S. PATENT NO. 468,226

YOU LIGHT UP  
MY LIFE



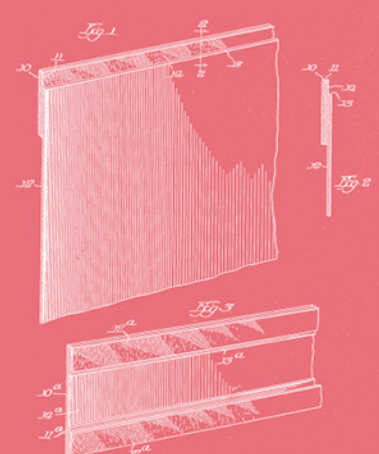
**Thomas Alva Edison** Electric Lamp  
U.S. PATENT NO. 223,898

GLAD I  
ran into you



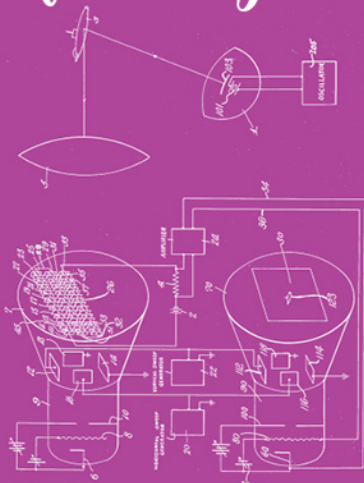
**William Bowerman** Modern Athletic Shoe  
U.S. PATENT NO. 3,793,750

HAPPY TO BE  
STUCK TOGETHER



**Richard Gurley Drew** Adhesive Tape  
U.S. PATENT NO. 1,760,820

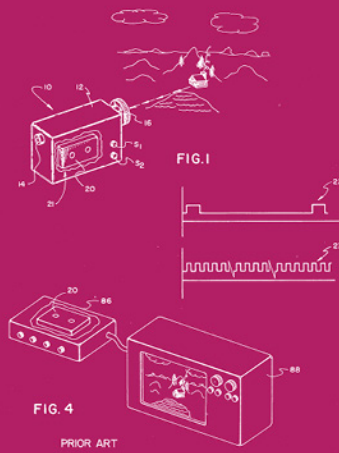
SO GLAD I  
found you



National Inventors  
Hall of Fame®

**Robert Rines** High-Resolution Radar and Sonar  
U.S. PATENT NO. 2,528,725

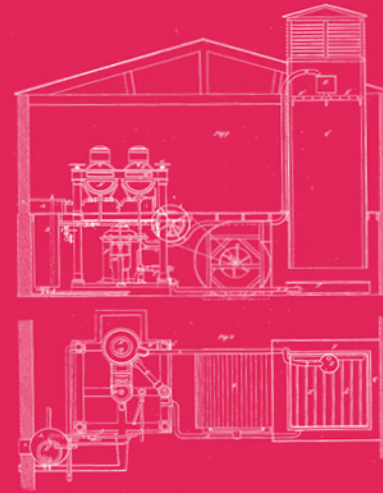
I CAN'T PICTURE MY  
LIFE WITHOUT YOU



National Inventors  
Hall of Fame®

**Steve Sasson** Digital Camera  
U.S. PATENT NO. 4,131,919

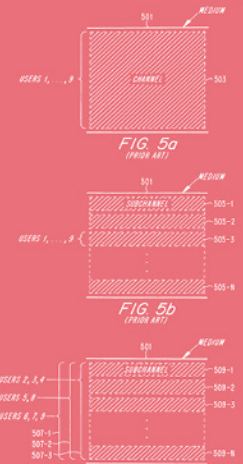
YOU ARE  
so sweet



National Inventors  
Hall of Fame®

**Norbert Rillieux** Automated Sugar Refining  
U.S. PATENT NO. 4,879

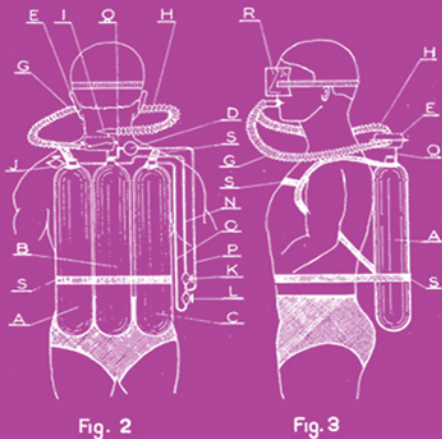
I FEEL SO  
CONNECTED TO YOU



National Inventors  
Hall of Fame®

**Jaap Haartsen** Bluetooth® Wireless Technology  
U.S. PATENT NO. 6,590,928

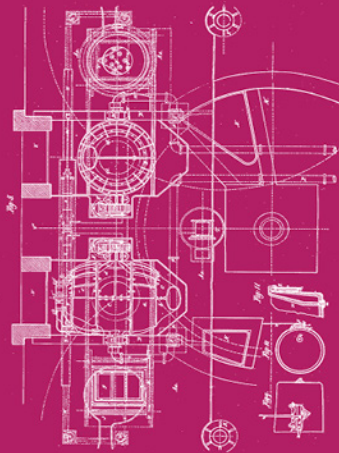
MY LOVE FOR YOU  
is deep



National Inventors  
Hall of Fame®

**J.Y. Cousteau & E. Gagnan** Diving Equipment  
U.S. PATENT NO. 2,485,039

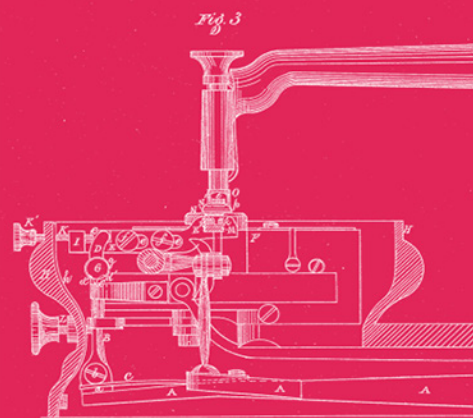
MY LOVE FOR YOU IS  
STRONGER THAN STEEL



National Inventors  
Hall of Fame®

**Alexander Holley** Steelmaking Process in America  
U.S. PATENT NO. 86,303

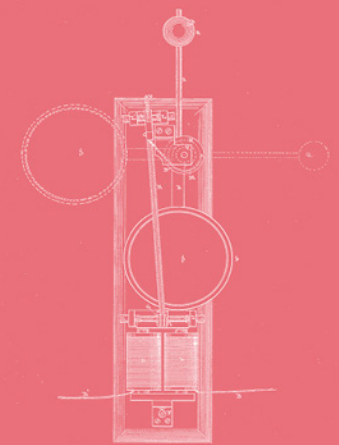
I AM  
sew into you



National Inventors  
Hall of Fame®

**Helen Blanchard** Zig-Zag Sewing Machine  
U.S. PATENT NO. 141,987

YOU MAKE MY  
HEART PULSE



National Inventors  
Hall of Fame®

**Thomas Hall** Improvement in Electrical Signals  
U.S. PATENT NO. 89,308